



# ACRYLIC COUNTER SHIELDS

Protect your staff, customers and your community

## Be prepared, Stay protected

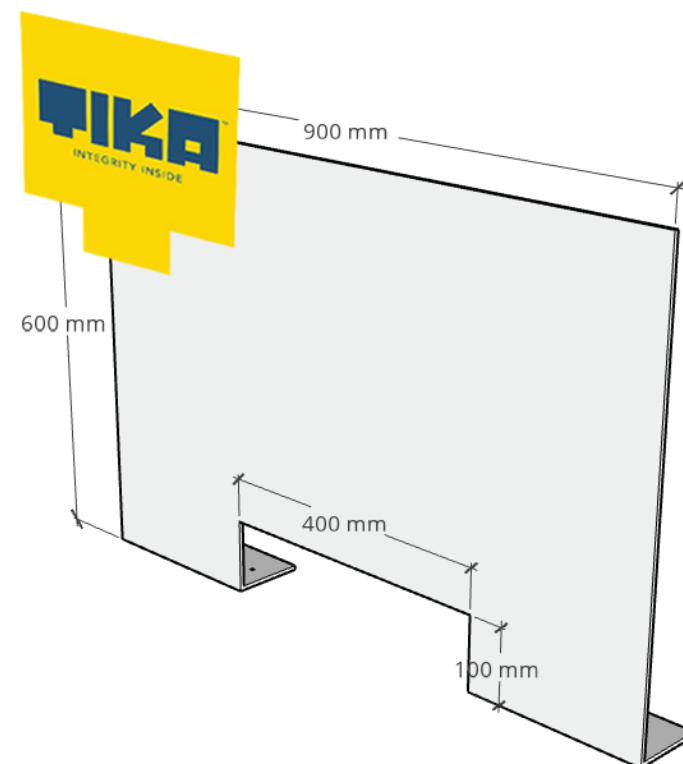
In response to Covid-19 and customer demand, we are currently producing counter shields in three styles and sizes to suit a range of counters and reception areas. Made from acrylic, offering droplet protection to and from staff/customers.

You can browse our designs, details and pricing below. We also have COVID-19 safety packs available to advise your clients and customers of safe practices in store.

Pick up is available from all of our branches – Tauranga, Hamilton or Auckland. Select the branch you would like to pick up from at checkout and we will advise when your order is ready. Some products may not be available to pick up at all locations, this will be shown on the cart page.

We are currently not offering delivery or install services at this stage due to high demand. However contact us to see what we can do. Tika are experienced in commercial interior and retail fit outs. We understand it may not always be one size fits all, if you'd like to discuss other options please get in touch.

For general enquiries contact: [daniel@tika.co.nz](mailto:daniel@tika.co.nz)  
Order online: [www.tika.co.nz/acrylic-counter-shields](http://www.tika.co.nz/acrylic-counter-shields)



# Basic Counter, Top Fixed

Easy install that will suit every counter while offering droplet protection to and from staff and customers. Fixed to the top of your counter using 4 screws. Not clicked together, providing, strong, sturdy design for lasting protection.

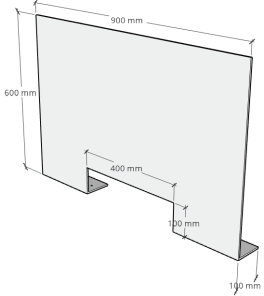
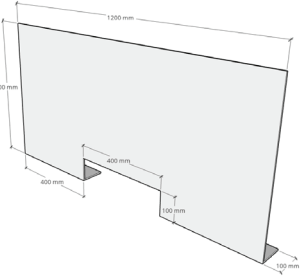
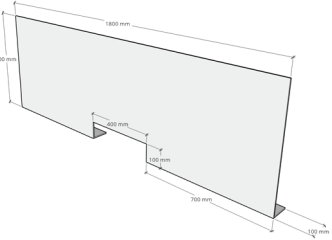


PRODUCT IMAGE	PRODUCT CODE	DESCRIPTION	TOTAL SUPPLY ONLY
	BCTFSML	600mm wide by 900mm high with a 300mm x 300mm Service Cutout 6mm or 4.5mm Acrylic (depending on availability)	328+gst
	BCTFMED	900mm wide by 900mm high with a 300mm x 300mm Service Cutout 6mm or 4.5mm Acrylic (depending on availability)	\$354+gst
	BCTFLGE	1200mm wide by 900mm high with a 300mm x 300mm Service Cutout 6mm or 4.5mm Acrylic (depending on availability)	\$567+gst

# Reception Counter

Designed for high fronted reception desks, this screen will provide droplet protection between staff and customers. Fixed to the top of your reception desk either by 4 screws, or double-sided tape. Not clicked together, providing, strong, sturdy design for lasting protection. Also works perfect for nail bar protection.



PRODUCT IMAGE	PRODUCT CODE	DESCRIPTION	TOTAL SUPPLY ONLY
	RCSML	900mm wide by 600mm high with a 100mm x 400mm Service cutout. 6mm or 4.5mm Acrylic (depending on availability)	\$177+gst
	RCMED	1200mm wide by 600mm high with a 100mm x 400mm Service cutout. 6mm or 4.5mm Acrylic (depending on availability)	\$189+gst
	RCLGE	1800mm wide by 600mm high with a 100mm x 400mm Service cutout. 6mm or 4.5mm Acrylic (depending on availability)	\$304+gst